



## Diesel Product Line

**208-600 Volt**

**TD350-01 / TD350-01P**

**60 Hz / 1800 RPM**

**350 kWe / 325 kWe**

**Standby / Prime**

## Ratings

	208V	240V	480V	600V
<b>Phase</b>	3	3	3	3
<b>PF</b>	0.8	0.8	0.8	0.8
<b>Hz</b>	60	60	60	60
<b>Generator Model</b>	433CSL6216	433CSL6216	433CSL6216	433PSL6248
<b>Connection</b>	12 LEAD WYE	12 LEAD DELTA	12 LEAD WYE	4 LEAD WYE
<b>Standby</b>				
<b>kWe</b>	350	350	350	350
<b>AMPS</b>	1216	1054	527	421
<b>Temp Rise</b>	130°C / 27°C	130°C / 27°C	130°C / 27°C	130°C / 27°C
<b>Prime [Only Available For Mobile Applications]</b>				
<b>kWe</b>	325	325	325	325
<b>AMPS</b>	1129	978	489	391
<b>Temp Rise</b>	105°C / 40°C	105°C / 40°C	105°C / 40°C	105°C / 40°C

## Standard Equipment

- |   |  |   |
|---|--|---|
| <p><b>Engine</b></p> <ul style="list-style-type: none"> <li>▶ Radiator Cooled Unit Mounted (50°C)</li> <li>▶ Blower Fan &amp; Fan Drive</li> <li>▶ Starter &amp; Alternator</li> <li>▶ Oil Pump &amp; Filter</li> <li>▶ Oil Drain Extension w/Valve</li> <li>▶ Governor - Electronic Isochronous</li> <li>▶ 24V Battery System &amp; Cables</li> <li>▶ Air Cleaner (Dry Single Stage)</li> <li>▶ Flexible Fuel Connector</li> <li>▶ EPA Certified Tier 3</li> </ul> <p><b>Listing Certifications</b></p> <ul style="list-style-type: none"> <li>▶ UL 2200 Listed</li> <li>▶ cUL Listed</li> <li>▶ CSA Certified</li> <li>▶ Seismic Certified to IBC 2012</li> </ul> | <p><b>Generator</b></p> <ul style="list-style-type: none"> <li>▶ Brushless Single Bearing</li> <li>▶ Automatic Voltage Regulator</li> <li>▶ ± 1% Voltage Regulation</li> <li>▶ 4 Pole, Rotating Field</li> <li>▶ 130°C Standby Temperature Rise</li> <li>▶ 105°C Prime Temperature Rise</li> <li>▶ 100% of Rated Load - One Step</li> <li>▶ 5% Maximum Harmonic Content</li> <li>▶ NEMA MG 1, IEEE and ANSI Standards Compliance for Temperature Rise</li> </ul> | <p><b>Additional</b></p> <ul style="list-style-type: none"> <li>▶ Microprocessor Based Digital Control</li> <li>▶ Interface Connection Box</li> <li>▶ Control Panel Mounted in NEMA 12 Enclosure</li> <li>▶ Base - Formed Steel</li> <li>▶ Main Line Circuit Breaker Mounted &amp; Wired</li> <li>▶ Critical Grade Silencer Mounted</li> <li>▶ Battery Charger 24V 5 Amp</li> <li>▶ Jacket Water Heater -20°F 4000W 240V w/Isolation Valves</li> <li>▶ Vibration Isolation Mounts</li> <li>▶ Radiator Duct Flange (OPU Only)</li> <li>▶ Single Source Supplier</li> <li>▶ 2YR / 2000HR Standby Warranty</li> <li>▶ 1YR / 1500HR Prime Warranty</li> <li>▶ Standard Colors - White / Tan / Gray</li> </ul> |
|---|--|---|

# Diesel Product Line

350 kWe / 325 kWe



**POWERDAK**  
POWER PRODUCTS, LLC

## Application Data

### Engine

Manufacturer:	MTU	Displacement - Cu. In. (lit):	854 (14.0)
Model Standby (Prime):	8V1600G70S (8V1600G10S)	Bore - in. (cm) x Stroke - in. (cm):	4.80 (12.2) x 5.91 (15.0)
Type:	4-Cycle	Compression Ratio:	17.5:1
Aspiration:	Turbo Charged, CAC	Rated RPM:	1800
Cylinder Arrangement:	8 Cylinder Vee	Max HP Stby (kWm):	547 (408)

### Exhaust System

	Standby	Prime
Gas Temp. (Stack): °F (°C)	887 (475)	860 (460)
Gas Volume at Stack Temp: CFM (m³/min)	2,966 (83.9)	2,966 (83.9)
Maximum Allowable Exhaust Restriction: in. H <sub>2</sub> O (kPa)	60.2 (15.0)	60.2 (15.0)

### Cooling System

	Standby	Prime
Ambient Capacity of Radiator: °F (°C)	122 (50.0)	122 (50.0)
Maximum Allowable Static Pressure on Rad. Exhaust: in. H <sub>2</sub> O (kPa)	0.50 (0.12)	0.50 (0.12)
Water Pump Flow Rate: GPM (lit/min)	95.0 (360)	95.0 (360)
Heat Rejection to Coolant: BTUM (kW)	11,658 (204)	10,805 (189)
Heat Rejection to CAC: BTUM (kW)	6,824 (119)	5,403 (94.6)
Heat Radiated to Ambient: BTUM (kW)	2,739 (47.9)	2,544 (44.5)

### Air Requirements

Aspirating: CFM (m³/min)	1,124 (31.8)	1,060 (30.0)
Air Flow Required for Rad. Cooled Unit: CFM (m³/min)	18,010 (510)	18,010 (510)
Air Flow Required for Heat Exchanger/Rem. Rad. CFM (m³/min)	Consult Factory For Remote Cooled Applications	

### Fuel Consumption

At 100% of Power Rating: gal/hr (lit/hr)	26.1 (98.8)	24.5 (92.7)
At 75% of Power Rating: gal/hr (lit/hr)	21.3 (80.6)	20.6 (78.0)
At 50% of Power Rating: gal/hr (lit/hr)	15.8 (59.8)	14.5 (54.9)

### Fluids Capacity

Total Oil System: gal (lit)	12.2 (46.2)	12.2 (46.2)
Engine Jacket Water Capacity: gal (lit)	13.2 (50.0)	13.2 (50.0)
System Coolant Capacity: gal (lit)	21.2 (80.3)	21.2 (80.3)

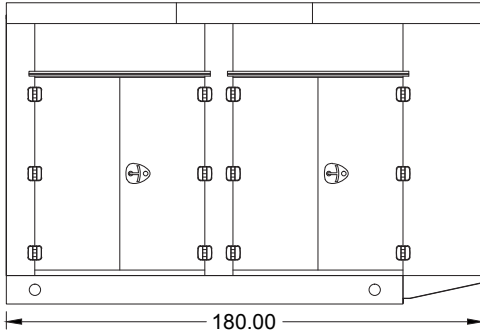
#### Deration Factors

Rated power available at ambient temperatures to 50°C. Derate 3% per 1,640 ft (500 m) above 4,920 ft (1,500 m). Consult factory for site conditions above these parameters.

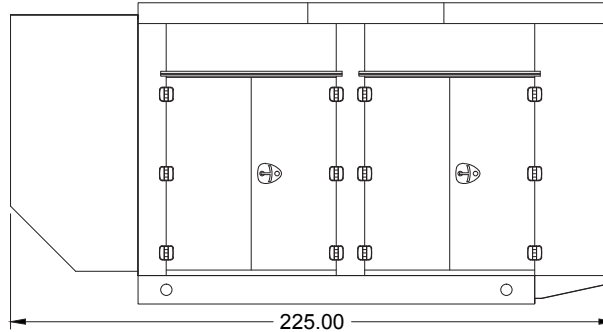


## Enclosures

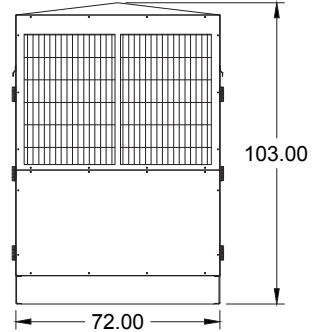
Level 1 & 2 | Side View (Weather Proof)



Level 3 | Side View (Sound Attenuated)



Level 1, 2 & 3 | Intake View



All enclosures are 150 MPH Wind Rated.

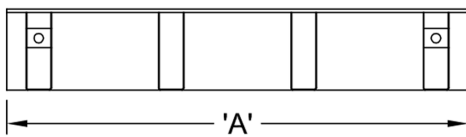
Level 2 & 3 enclosures include sound attenuation foam.

Level 3 enclosure includes frontal sound & exhaust hood.

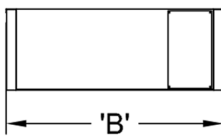
\*Enclosure height does not include exhaust stack.

## Double Wall UL 142 Listed Fuel Tanks

Side View



Rear View



	24 Hour 710 Gallon	48 Hour 1420 Gallon	72 Hour 2130 Gallon
<b>A</b>	140.00	180.00	250.00
<b>B</b>	72.00	72.00	72.00
<b>C</b>	24.00	36.00	36.00

All specification sheet dimensions are represented in inches.

All enclosures and fuel tanks are based on the standard standby unit configuration. Any deviation can change dimensions.

Materials and specifications subject to change without notice.

American Owned



American Made

Distributed By:

### Blue Star Power Systems, Inc.

52146 Ember Road

Lake Crystal, Minnesota 56055

Phone + 1 507 726 2508

bluestarps.com

quote.bluestarps.com

sales@bluestarps.com