



## Diesel Product Line

**208-600 Volt**

**TD500-01 / TD500-01P**

**60 Hz / 1800 RPM**

**500 kWe / 460 kWe**

**Standby / Prime**

	208V	240V	480V	600V
<b>Phase</b>	3	3	3	3
<b>PF</b>	0.8	0.8	0.8	0.8
<b>Hz</b>	60	60	60	60
<b>Generator Model</b>	572RSL4029	572RSL4029	572RSL4027	572RSS4270
<b>Connection</b>	12 LEAD WYE	12 LEAD DELTA	12 LEAD WYE	4 LEAD WYE
<b>Standby</b>				
<b>kWe</b>	500	500	500	500
<b>AMPS</b>	1737	1505	753	602
<b>Temp Rise</b>	130°C / 27°C	130°C / 27°C	130°C / 27°C	130°C / 27°C
<b>Prime [Only Available For Mobile Applications]</b>				
<b>kWe</b>	460	460	460	460
<b>AMPS</b>	1598	1385	692	554
<b>Temp Rise</b>	105°C / 40°C	105°C / 40°C	105°C / 40°C	105°C / 40°C

## Standard Equipment

- |   |  |   |
|---|--|---|
| <p><b>Engine</b></p> <ul style="list-style-type: none"> <li>▶ Radiator Cooled Unit Mounted (50°C)</li> <li>▶ Blower Fan &amp; Fan Drive</li> <li>▶ Starter &amp; Alternator</li> <li>▶ Oil Pump &amp; Filter</li> <li>▶ Oil Drain Extension w/Valve</li> <li>▶ Governor - Electronic Isochronous</li> <li>▶ 24V Battery System &amp; Cables</li> <li>▶ Air Cleaner (Dry Single Stage)</li> <li>▶ Flexible Fuel Connector</li> <li>▶ EPA Certified Tier 2</li> </ul> <p><b>Listing Certifications</b></p> <ul style="list-style-type: none"> <li>▶ UL 2200 Listed</li> <li>▶ cUL Listed</li> <li>▶ CSA Certified</li> <li>▶ Seismic Certified to IBC 2012</li> </ul> | <p><b>Generator</b></p> <ul style="list-style-type: none"> <li>▶ Brushless Single Bearing</li> <li>▶ Automatic Voltage Regulator</li> <li>▶ ± .25% Voltage Regulation</li> <li>▶ 4 Pole, Rotating Field</li> <li>▶ 130°C Standby Temperature Rise</li> <li>▶ 105°C Prime Temperature Rise</li> <li>▶ 100% of Rated Load - One Step</li> <li>▶ 5% Maximum Harmonic Content</li> <li>▶ NEMA MG 1, IEEE and ANSI Standards Compliance for Temperature Rise</li> </ul> | <p><b>Additional</b></p> <ul style="list-style-type: none"> <li>▶ Microprocessor Based Digital Control</li> <li>▶ Interface Connection Box</li> <li>▶ Control Panel Mounted in NEMA 12 Enclosure</li> <li>▶ Base - Formed Steel</li> <li>▶ Main Line Circuit Breaker Mounted &amp; Wired</li> <li>▶ Critical Grade Silencer Mounted</li> <li>▶ Battery Charger 24V 5 Amp</li> <li>▶ Jacket Water Heater -20°F 5000W 240V w/Isolation Valves</li> <li>▶ Vibration Isolation Mounts</li> <li>▶ Radiator Duct Flange (OPU Only)</li> <li>▶ Single Source Supplier</li> <li>▶ 2YR / 2000HR Standby Warranty</li> <li>▶ 1YR / 1500HR Prime Warranty</li> <li>▶ Standard Colors - White / Tan / Gray</li> </ul> |
|---|--|---|

# Diesel Product Line

500 kWe / 460 kWe



## POWERDAK

POWER PRODUCTS, LLC

## Application Data

### Engine

Manufacturer:	MTU	Displacement - Cu. In. (lit):	1068 (17.5)
Model Standby (Prime):	10V1600G80S (10V1600G20S)	Bore - in. (cm) x Stroke - in. (cm):	4.80 (12.2) x 5.91 (15.0)
Type:	4-Cycle	Compression Ratio:	17.5:1
Aspiration:	Turbo Charged, CAC	Rated RPM:	1800
Cylinder Arrangement:	10 Cylinder Vee	Max HP Stby (kWm):	752 (561)

### Exhaust System

	Standby	Prime
Gas Temp. (Stack): °F (°C)	862 (461)	856 (458)
Gas Volume at Stack Temp: CFM (m³/min)	3,625 (103)	3,357 (95)
Maximum Allowable Exhaust Restriction: in. H <sub>2</sub> O (kPa)	60.2 (15.0)	60.2 (15.0)

### Cooling System

Ambient Capacity of Radiator: °F (°C)	122 (50.0)	122 (50.0)
Maximum Allowable Static Pressure on Rad. Exhaust: in. H <sub>2</sub> O (kPa)	0.50 (0.12)	0.50 (0.12)
Water Pump Flow Rate: GPM (lit/min)	123 (466)	123 (466)
Heat Rejection to Coolant: BTUM (kW)	13,429 (235)	13,429 (235)
Heat Rejection to CAC: BTUM (kW)	6,743 (118)	5,771 (101)
Heat Radiated to Ambient: BTUM (kW)	4,551 (79.7)	4,058 (71.0)

### Air Requirements

Aspirating: CFM (m³/min)	1,527 (43.2)	1,187 (33.6)
Air Flow Required for Rad. Cooled Unit: CFM (m³/min)	22,672 (642)	22,672 (642)
Air Flow Required for Heat Exchanger/Rem. Rad. CFM (m³/min)	Consult Factory For Remote Cooled Applications	

### Fuel Consumption

At 100% of Power Rating: gal/hr (lit/hr)	33.5 (127)	29.6 (112)
At 75% of Power Rating: gal/hr (lit/hr)	25.7 (97.3)	23.7 (89.7)
At 50% of Power Rating: gal/hr (lit/hr)	19.2 (72.7)	17.5 (65.1)

### Fluids Capacity

Total Oil System: gal (lit)	16.0 (60.6)	16.0 (60.6)
Engine Jacket Water Capacity: gal (lit)	15.9 (60.2)	15.9 (60.2)
System Coolant Capacity: gal (lit)	26.2 (99.2)	26.2 (99.2)

#### Deration Factors

Rated power available at ambient temperatures to 50°C. Derate 3% per 1,640 ft (500 m) above 6,560 ft (2,000 m). Consult factory for site conditions above these parameters.

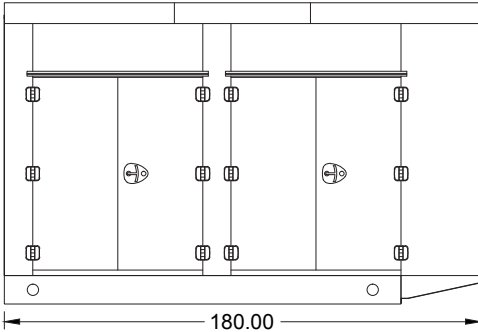


# Diesel Product Line

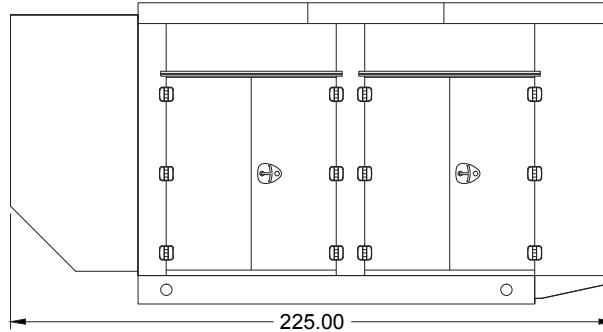
500 kWe / 460 kWe

## Enclosures

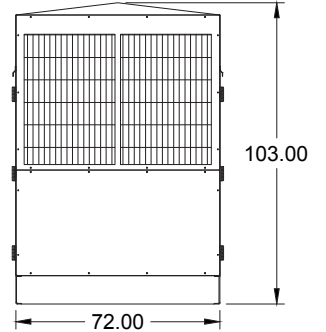
Level 1 & 2 | Side View (Weather Proof)



Level 3 | Side View (Sound Attenuated)



Level 1, 2 & 3 | Intake View



All enclosures are 150 MPH Wind Rated.

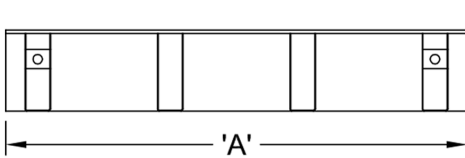
Level 2 & 3 enclosures include sound attenuation foam.

Level 3 enclosure includes frontal sound & exhaust hood.

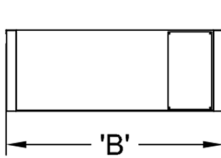
\*Enclosure height does not include exhaust stack.

## Double Wall UL 142 Listed Fuel Tanks

Side View



Rear View



	24 Hour 900 Gallon	48 Hour 1800 Gallon	72 Hour 2700 Gallon
<b>A</b>	140.00	216.00	312.00
<b>B</b>	72.00	72.00	72.00
<b>C</b>	32.00	36.00	36.00

All specification sheet dimensions are represented in inches.

All enclosures and fuel tanks are based on the standard standby unit configuration. Any deviation can change dimensions.

Materials and specifications subject to change without notice.

American Owned



American Made

Distributed By:

### Blue Star Power Systems, Inc.

52146 Ember Road

Lake Crystal, Minnesota 56055

Phone + 1 507 726 2508

bluestarps.com

quote.bluestarps.com

sales@bluestarps.com