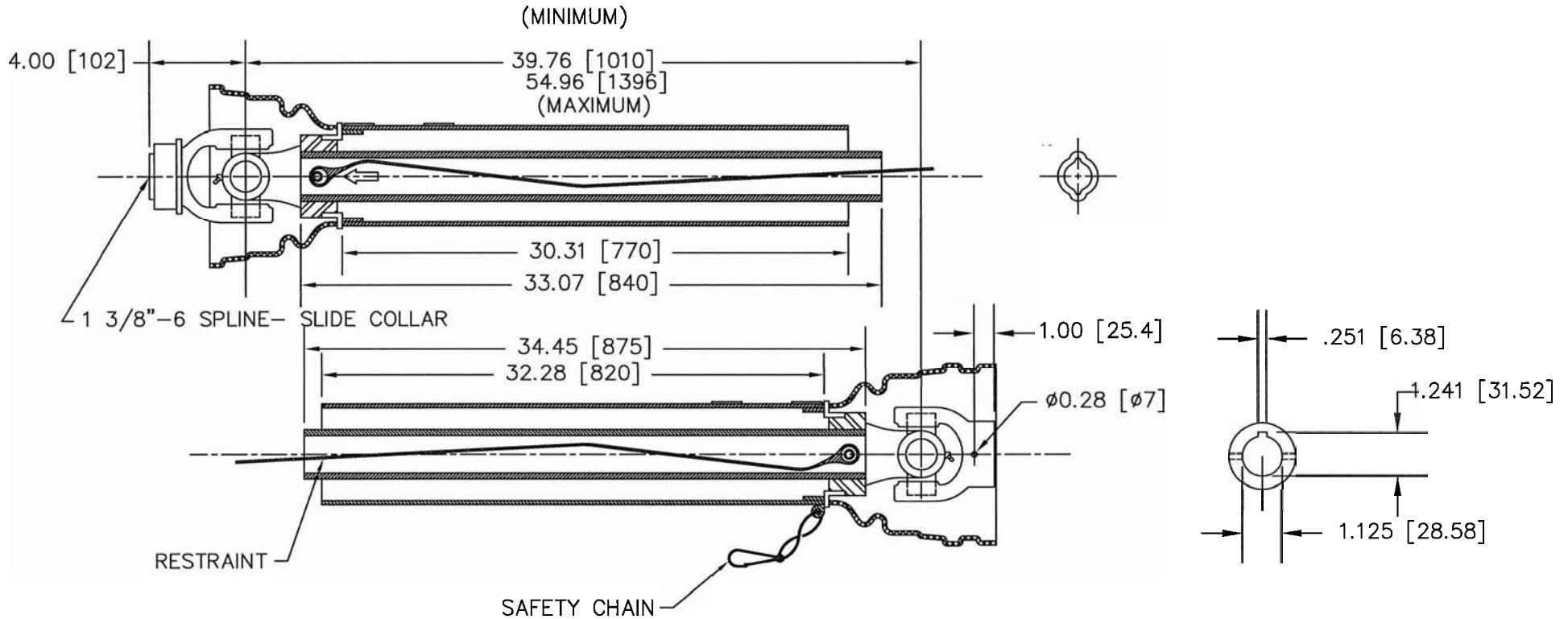


001-066E7

NOTE: YOU DO NOT NEED TO PURCHASE THE SPLINE ADAPTER IF YOU ARE PURCHASING THIS T-BAR AND THE 25PTOC.



SPECIFICATIONS:

OPERATING SPEED: 540 RPM
 GEN END CONNECTION: 1-1/8" KEYED
 TRACTOR END CONN: 1-3/8" 6-SPLINE
 SHAFT POWER RATING: 50 HP

THIS DRAWING CONTAINS PROPRIETARY INFORMATION BELONGING TO WINPOWER. UNAUTHORIZED USE IS PROHIBITED.	DRAWN BY	DATE	CH'KD BY	DATE	APP'D BY	DATE	SCALE
	DJR	11/11/10					
	MATERIAL:						
	FINISH	X	TITLE		T-BAR SPEC SHEET		
ASS'Y	X	MODEL		25 KW PTO			
						PART NO.	43990-100