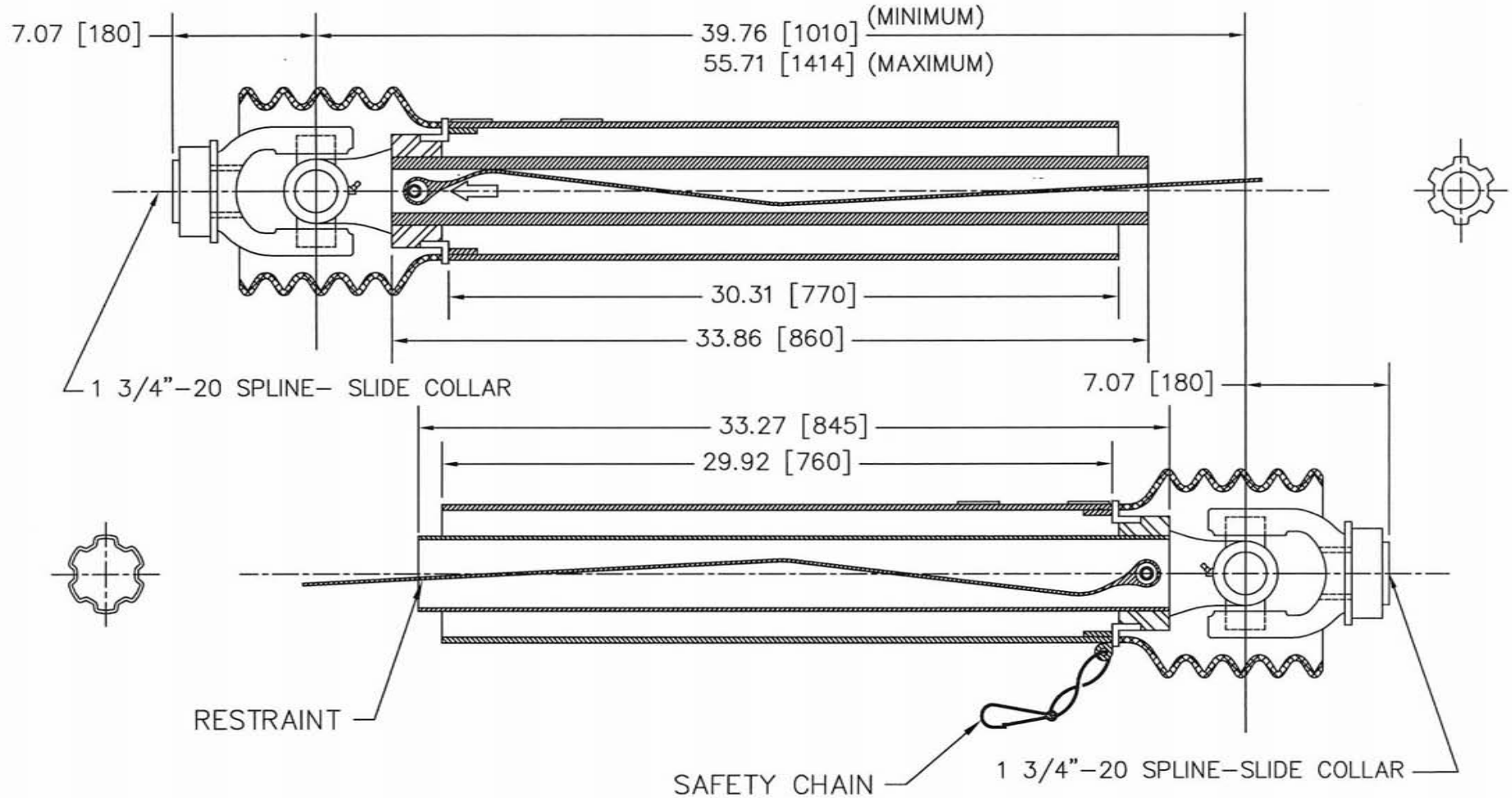


001-01231VS

FITS MODELS: W85FPTOS, W100FPTOS, W105FPTOT



SPECIFICATIONS:  
 OPERATING SPEED: 1000 RPM  
 GEN END CONNECTION: 1-3/4" 20-SPLINE  
 TRACTOR END CONN: 1-3/4" 20-SPLINE  
 SHAFT POWER RATING: 167 HP

THIS DRAWING CONTAINS PROPRIETARY INFORMATION BELONGING TO WINPOWER. UNAUTHORIZED USE IS PROHIBITED.	DRAWN BY	DATE	CH'KD BY	DATE	APP'D BY	DATE	SCALE
	DJR	11/10/10					
	MATERIAL:						
	FINISH	X	TITLE				
ASS'Y	X	T-BAR SPEC SHEET					
MODEL		PART NO.					
WINPOWER						SA12310-100	