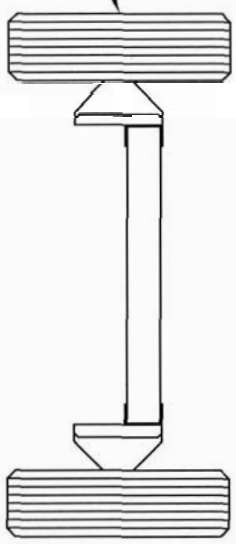
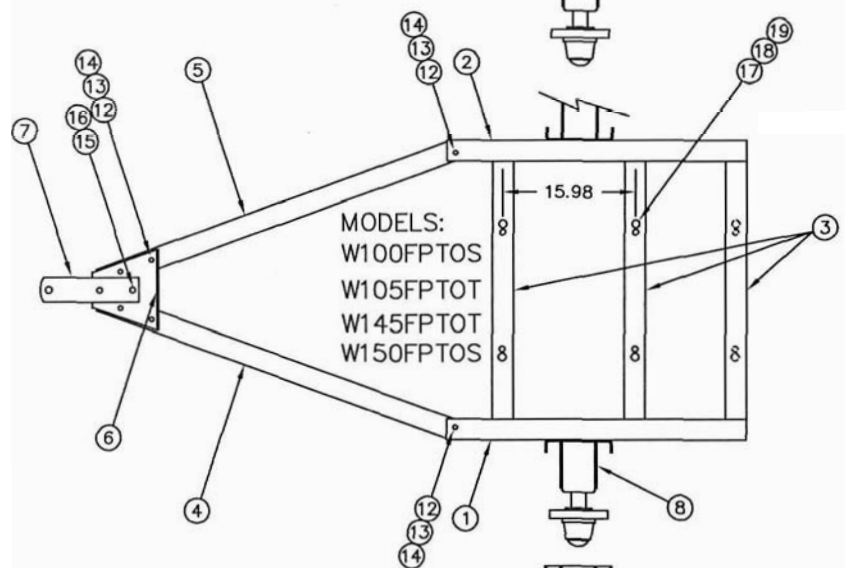


REAR CROSSMEMBER CAN BE INSTALLED WITH THE HOLES DOWN FOR APPEARANCE IF DESIRED.

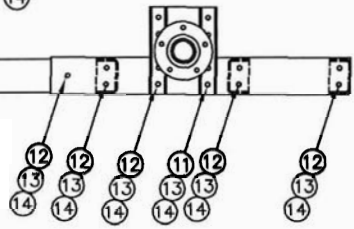
CUSTOMER SUPPLIED TIRES ON ITEM 9, MOUNT WITH ITEM 10.



ITEMS DENOTED WITH AN (*) ARE PACKAGED IN A BOX OF BOLTS, P/N TDM74-1.

22	100047-750	1	CARTON PTO TELE-TOP 49.50 X 28 X 9
21	100047-749	1	CARTON PTO TELE-BOTTOM 49.50 X 28 X 9
20*	TDM74-101	1	ASSEMBLY INSTRUCTIONS
19*	350021	4	HN 7/8-9
18*	350020	4	SLW 7/8
17*	A-350019-2	4	HHCS 7/8-9 x 2
16*	95468	6	ELASTIC STOP NUT 5/8-11
15*	A-91083-4	6	HHCS 5/8-11 x 2
14*	1744	30	HN 1/2-13
13*	636	30	SLW 1/2
12*	48178	26	HHCS 1/2-13 x 1
11*	57580	4	HHCS 1/2-13 x 1 1/2
10*	300129-2	10	BOLT, WHEEL
9	A-300130	2	RIM, 15 x 6
8	A-300132	2	ASSEMBLY, HUB
7	A-300131	2	TONGUE, END
6	A-300123	1	GUSSET, TONGUE
5	A-300122-2	1	TONGUE, RIGHT
4	A-300122-1	1	TONGUE, LEFT
3	A-300121	3	CROSSMEMBER, TRAILER
2	A-300120-2	1	SIDE, TRAILER RIGHT
1	A-300120-1	1	SIDE, TRAILER LEFT
ITEM	PART NO	QUAN.	DESCRIPTION

POSITION ITEM 8 FOR BEST PTO SHAFT ALIGNMENT.



INSTRUCTION SHEET

TDM74-101

ISSUE E