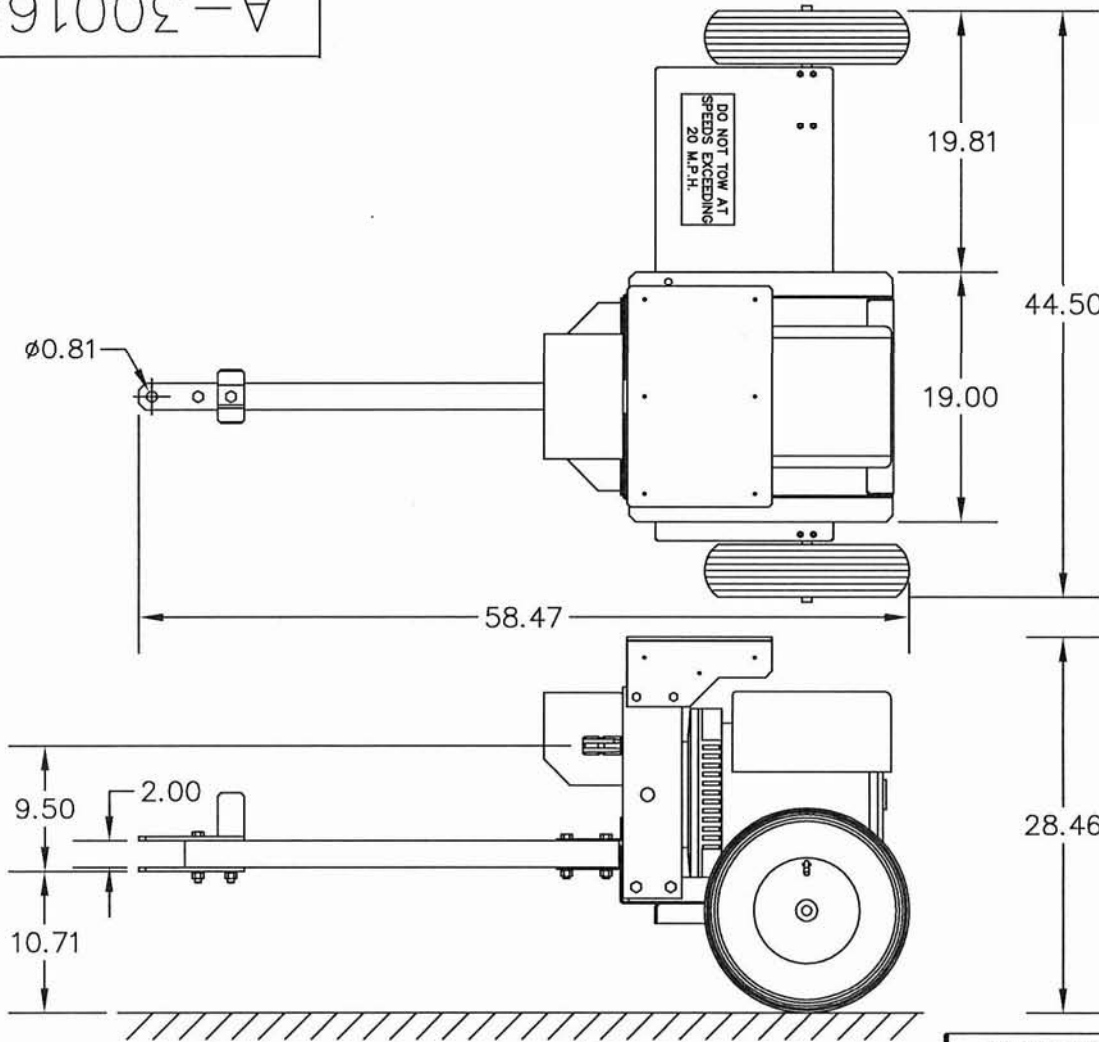
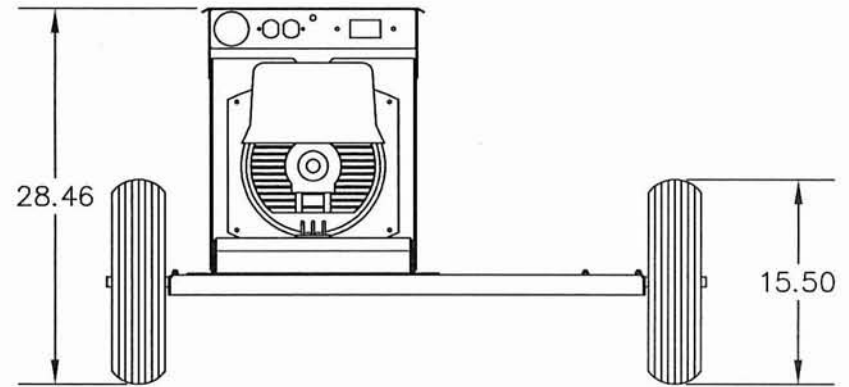


A-300165



NOTES:

1. TDM75 SHOWN WITH 18/15 OR 14/11PTCD INSTALLED.
2. APPROXIMATE COMBINED TOTAL WEIGHT IS 250 POUNDS FOR THE 14/11 AND 285 POUNDS FOR THE 18/15.



UNLESS OTHERWISE SPECIFIED		MACHINED SURFACE TEXTURE		ALL DIMENSIONS GIVEN IN INCHES			
FRACTIONS ±		ANGULAR ± 1.5°		WORK TO DIMENSIONS			
1. PLACE DEC. ± .1				- DO NOT SCALE -			
2. PLACE DEC. ± .015							
3. PLACE DEC. ± .005							
THIS DRAWING CONTAINS PROPRIETARY INFORMATION BELONGING TO WINPOWER. UNAUTHORIZED USE IS PROHIBITED.	DRAWN BY	DATE	CH'KD BY	DATE	APP'D BY	DATE	SCALE
	RH	6/18/98					1=15
	MATERIAL:						
	FINISH	TITLE		OUTLINE DRAWING			
ASS'Y	MODEL		TDM75&14/11				
PART NO.						A-300165	

A	---	ORIGINAL	----	---	---
ISSUE	E.C.O. NO.	DESCRIPTION	DATE	BY	APPR.
REVISION RECORD					